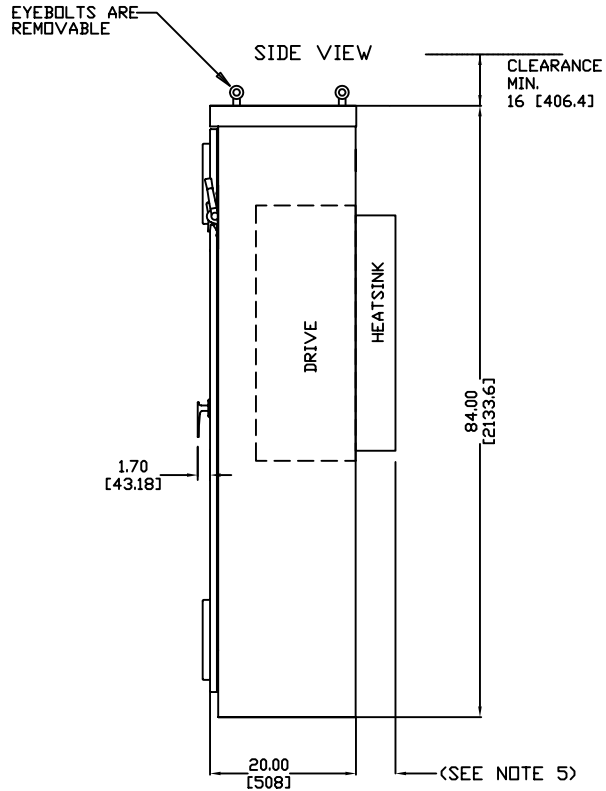
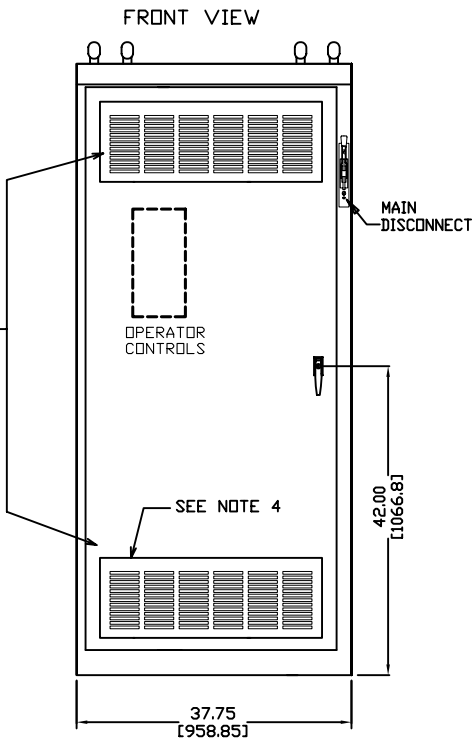
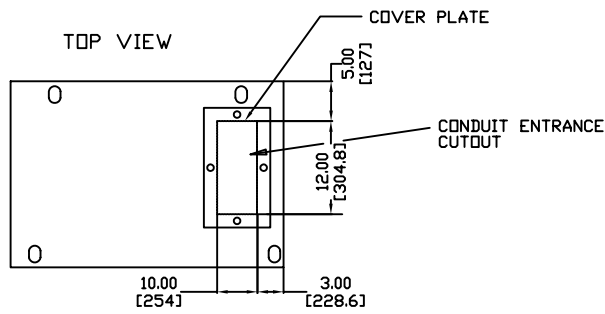
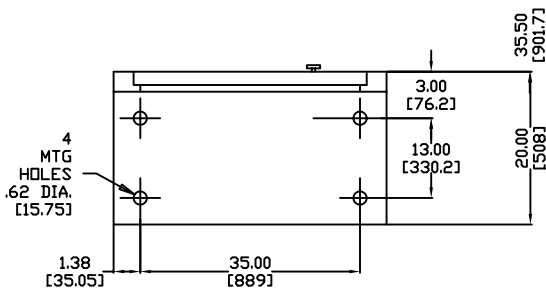


FOR REFERENCE ONLY UNLESS PROPERLY ENDORSED.



MIN. ALLOWABLE SPACE REQ'D TO OPEN DOORS



BOTTOM VIEW

NOTES:

1. DIMENSIONS ARE IN INCHES AND [MM].
2. NON-VENTILATED ENCLOSURE (NEMA 12), NO SLOTS IN DOOR.
3. VENTILATED ENCLOSURE (NEMA 1), DOORS SLOTTED TOP AND BOTTOM AS REQUIRED.
4. FILTERED AIR INTAKE (NEMA 1 & 12), ADAPTS EXTERNALLY TO DOORS AS REQUIRED.
5. TOTAL DEPTH DEPENDS ON IF DRIVE IS HEATSINK EXTERNAL, WHICH VARIES PER DRIVE HORSEPOWER RATING. (NOT TO EXCEED 6.25 [158.75])

PROJECT NAME: _____
 SYSTEM/TAG # _____
 MODEL # _____
 HP: _____
 AMPS: _____
 VOLTS: _____
 WEIGHT: _____

YASKAWA
 A World of Automation Solutions™

THIS DOCUMENT AND INFORMATION CONTAINED IN IT ARE CONFIDENTIAL, AND CANNOT BE COPIED OR DISCLOSED IN WHOLE OR IN PART WITHOUT THE EXPRESS WRITTEN CONSENT OF YASKAWA ELECTRIC AMERICA INC.

DRAWN: SR	DATE: 8.20.04
CHECKED: DC	DATE: 8.20.04
TECH:	DATE:
APPROVED: JZ	DATE: 8.20.04
ORIGINAL DESIGN: SR	DATE: 8.20.04

TITLE: DIMENSION DIAGRAM ENCLOSURE		
SIZE: C	REVISION: R00	PAGE: 01 of 01
DRAWING #: DD.AFD.091.01		